

Technical presentation of the

UK 500 - CLAMPING BLOCK

1. PRODUCT FEATURES

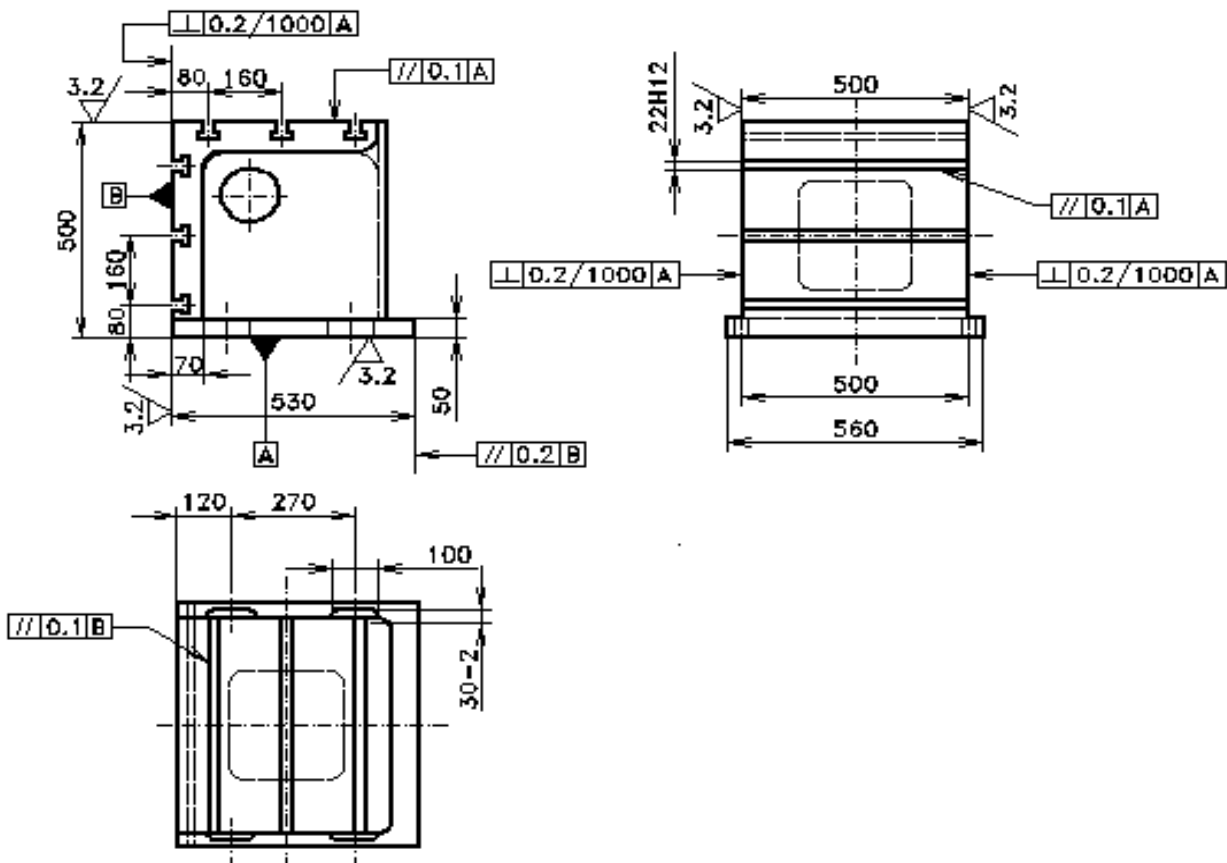
UK 500 clamping block is designed as an optional technological accessory for the horizontal boring machines. It serves for clamping of workpiece and it is anchored to table clamping area or just to clamping plate.

2. DESCRIPTION AND SPECIFICATION

Material: gray cast iron (Czech Standard 42 24 25)
 Weight: 285 kg
 Holes for clamping screws: M20
 A, B, C surface hardness HB 190 ± 10

Note : Geometrical accuracy of the cube may be improved by its final surface machining on the machine which it is going to be applied with.

3. OVERALL SETUP



4. LIST OF REGULAR ACCESSORIES (DELIVERED AS STANDARD)

- Accompanying technical documentation including user's manual